

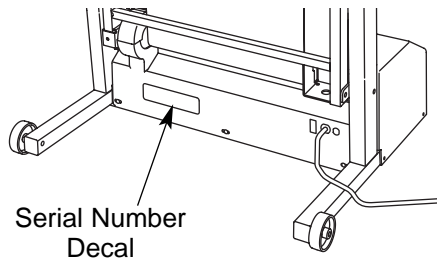
# WESLO<sup>®</sup> C A D E N C E



**Model No. WLTL21130**

**Serial No. \_\_\_\_\_**

Write the serial number in the space above for future reference.



## QUESTIONS?

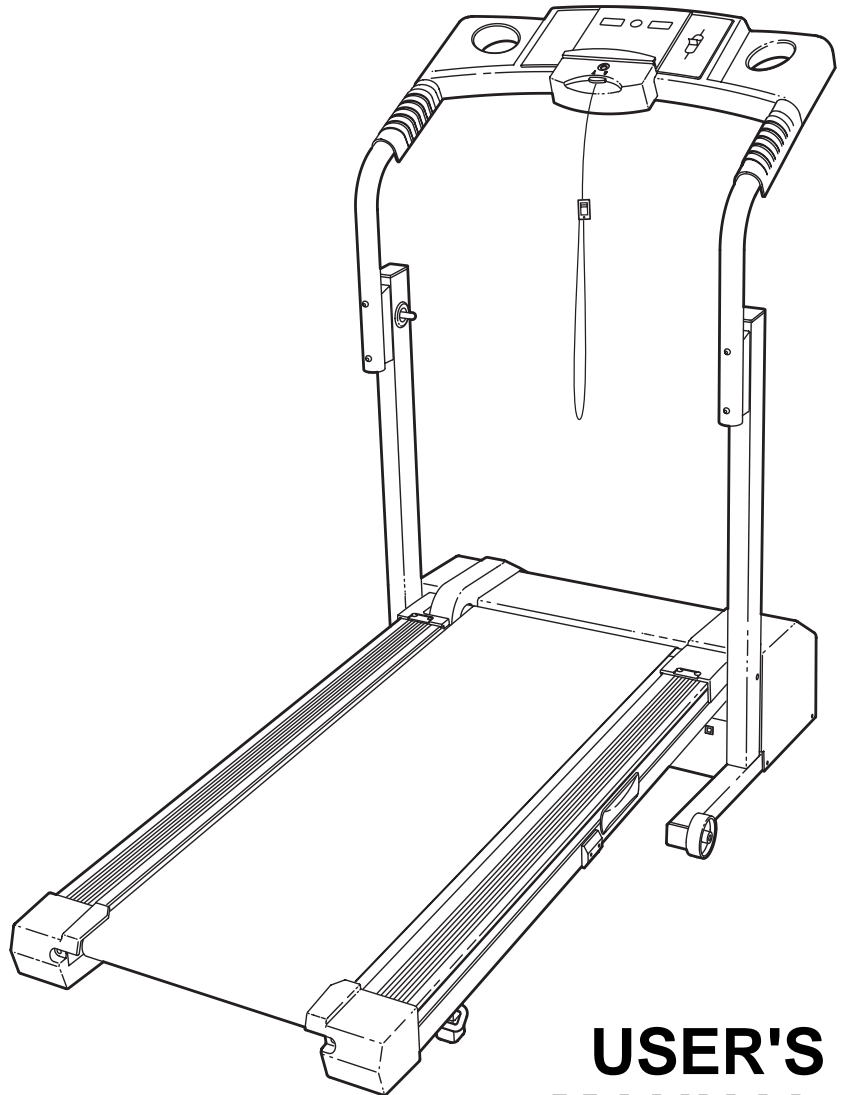
If you have questions, or if there are missing parts, we will guarantee complete satisfaction through direct assistance from our factory.

**TO AVOID DELAYS, PLEASE CALL DIRECT TO OUR TOLL-FREE CUSTOMER HOT LINE.** The trained technicians on our Customer Hot Line will provide immediate assistance, free of charge to you.

**CUSTOMER HOT LINE:**

**1-800-999-3756**

Mon.–Fri., 6 a.m.–6 p.m. MST



## USER'S MANUAL

### CAUTION

Read all precautions and instructions in this manual before using this equipment. Save this manual for future reference.



Visit our website at

[www.weslo.com](http://www.weslo.com)

*new products, prizes,  
fitness tips, and much more!*

# WESLO<sup>®</sup> C A D E N C E



---

## TABLE OF CONTENTS

IMPORTANT PRECAUTIONS .....	3
BEFORE YOU BEGIN .....	5
ASSEMBLY .....	6
OPERATION AND ADJUSTMENT .....	10
HOW TO FOLD AND MOVE THE TREADMILL .....	13
MAINTENANCE AND TROUBLE-SHOOTING .....	15
CONDITIONING GUIDELINES .....	17
ORDERING REPLACEMENT PARTS .....	Back Cover
LIMITED WARRANTY .....	Back Cover

Note: A PART IDENTIFICATION CHART, an EXPLODED DRAWING, and a PART LIST are attached in the center of this manual.

# IMPORTANT PRECAUTIONS

**⚠ WARNING:** To reduce the risk of burns, fire, electric shock, or injury to persons, read the following important precautions and information before operating the treadmill.

1. It is the responsibility of the owner to ensure that all users of this treadmill are adequately informed of all warnings and precautions.
2. Use the treadmill only as described.
3. Place the treadmill on a level surface, with at least eight feet of clearance behind it and two feet on each side. Do not place the treadmill on any surface that blocks air openings. To protect the floor or carpet from damage, place a mat under the treadmill.
4. Keep the treadmill indoors, away from moisture and dust. Do not put the treadmill in a garage or covered patio, or near water.
5. Do not operate the treadmill where aerosol products are used or where oxygen is being administered.
6. Keep children under the age of 12 and pets away from the treadmill at all times.
7. The treadmill should not be used by persons weighing more than 250 pounds.
8. Never allow more than one person on the treadmill at a time.
9. Wear appropriate exercise clothing when using the treadmill. Do not wear loose clothing that could become caught in the treadmill. Athletic support clothes are recommended for both men and women. *Always wear athletic shoes. Never use the treadmill with bare feet, wearing only stockings, or in sandals.*
10. When connecting the power cord (see page 10), plug the power cord into a surge suppressor (not included) and plug the surge suppressor into a grounded circuit capable of carrying 15 or more amps. No other appliance should be on the same circuit. Do not use an extension cord.
11. Use only a single-outlet surge suppressor that meets all of the specifications described on page 10. To purchase a surge suppressor, see your local WESLO dealer or call 1-800-806-3651 and order part number 146148.
12. Failure to use a properly functioning surge suppressor could result in damage to the control system of the treadmill. If the control system is damaged, the walking belt may change speed or stop unexpectedly, which may result in a fall and serious injury.
13. Keep the power cord and the surge suppressor away from heated surfaces.
14. Never move the walking belt while the power is turned off. Do not operate the treadmill if the power cord or plug is damaged, or if the treadmill is not working properly. (See page 5 if the treadmill is not working properly.)
15. Never start the treadmill while you are standing on the walking belt. Always hold the handrails while using the treadmill.
16. The treadmill is capable of high speeds. Adjust the speed in small increments to avoid sudden jumps in speed.
17. Never leave the treadmill unattended while it is running. Always remove the key and unplug the power cord when the treadmill is not in use.
18. Do not attempt to raise, lower, or move the treadmill until it is properly assembled. (See ASSEMBLY on page 6, and HOW TO MOVE THE TREADMILL on page 13.) You must be able to safely lift 45 pounds (20 kg) in order to raise, lower, or move the treadmill.
19. Do not change the incline of the treadmill by placing objects under the treadmill.
20. When folding or moving the treadmill, make sure that the storage latch is fully closed.
21. Inspect and properly tighten all parts of the treadmill regularly.

22. Never drop or insert any object into any opening.

23. **DANGER:** Always unplug the power cord immediately after use, before cleaning the treadmill, and before performing the maintenance and adjustment procedures described in this manual. Never remove the motor hood unless instructed to do so by an

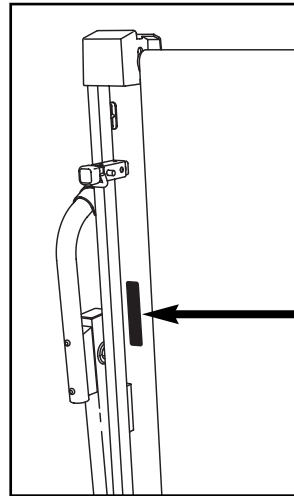
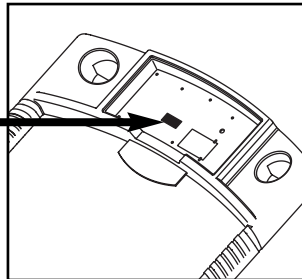
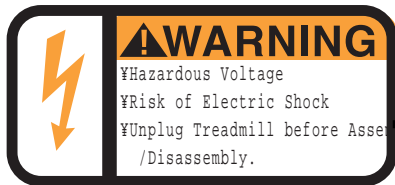
authorized service representative. Servicing other than the procedures in this manual should be performed by an authorized service representative only.

24. This treadmill is intended for in-home use only. Do not use this treadmill in any commercial, rental, or institutional setting.

**! WARNING:** Before beginning this or any exercise program, consult your physician. This is especially important for persons over the age of 35 or persons with pre-existing health problems. Read all instructions before using. ICON assumes no responsibility for personal injury or property damage sustained by or through the use of this product.

## SAVE THESE INSTRUCTIONS

The decals shown have been placed on your treadmill. If a decal is missing, or if it is not legible, please call our Customer Service Department, toll-free, to order a free replacement decal (see ORDERING REPLACEMENT PARTS on the back cover of this manual). Apply the decal in the location shown. Note: The decals are not shown at actual size.



**! WARNING:**  
Protect yourself and others from risk of serious injury. Read the user's manual and :

- Stand only on the side rails when starting or stopping treadmill.
- Change speed in small increments.
- Hold handrails to prevent falling, and always wear the safety clip while operating treadmill.
- Stop if you feel faint, dizzy, or short of breath.
- Fully engage storage latch before treadmill is moved or stored.
- Reduce incline to its lowest level before folding treadmill into storage position.
- Never allow children on or around treadmill.
- Remove key when not in use.
- Keep clothing, fingers, and hair away from moving belt.
- Never try to adjust or fix the belt while it is moving.
- Always wear athletic shoes while operating treadmill.

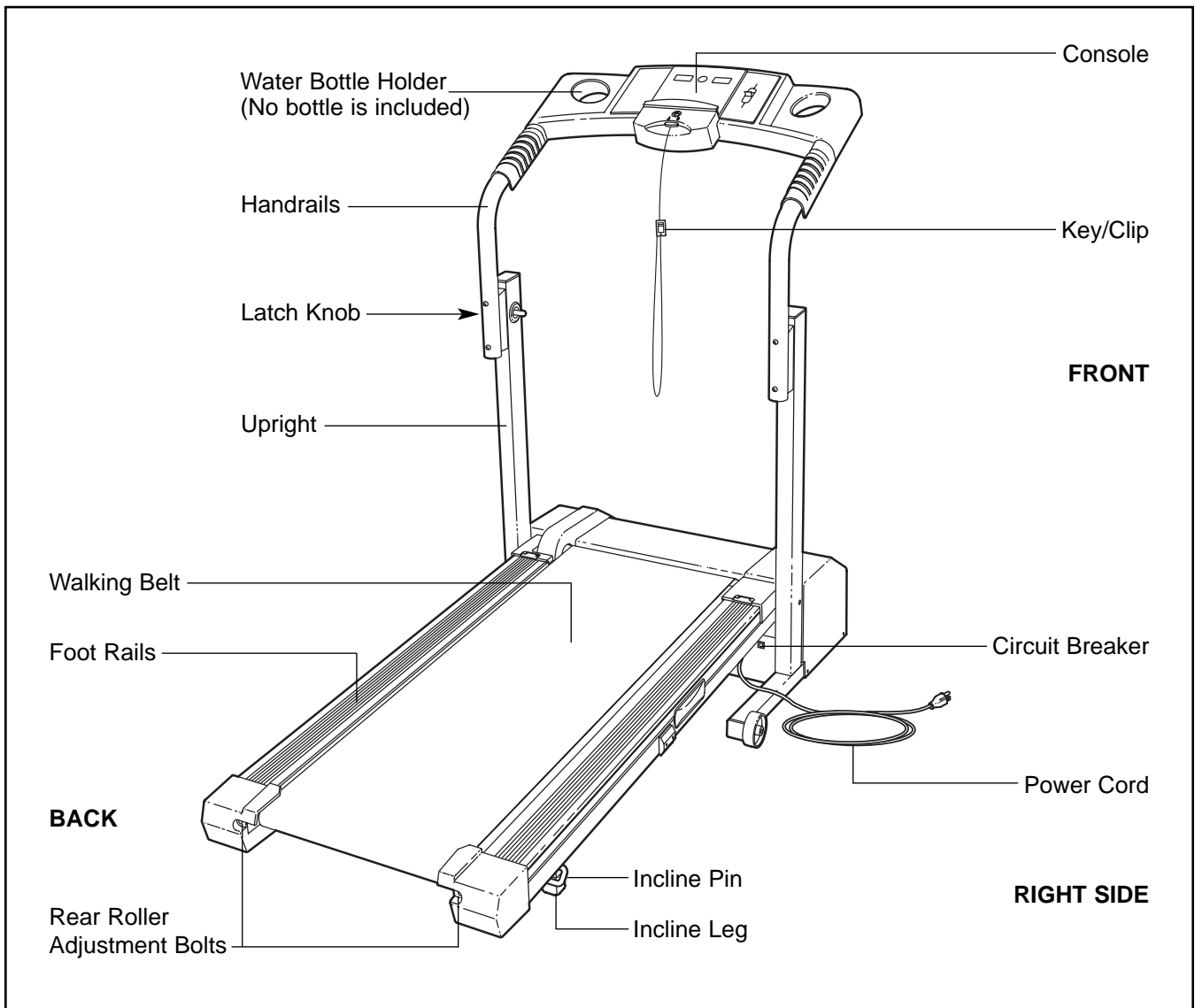
# BEFORE YOU BEGIN

Thank you for selecting the WESLO CADENCE® CR12 treadmill. The CADENCE CR12 treadmill combines advanced technology with innovative design to let you enjoy an excellent form of cardiovascular exercise in the convenience and privacy of your home. And when you're not exercising, the unique CADENCE CR12 treadmill can be folded up, requiring less than half the floor space of other treadmills.

**For your benefit, read this manual carefully before using the treadmill.** If you have questions after reading this manual, please call our Customer Service

Department toll-free at 1-800-999-3756, Monday through Friday, 6 a.m. until 6 p.m. Mountain Time (excluding holidays). To help us assist you, please note the product model number and serial number before calling. The model number of the treadmill is WLTL21130. The serial number can be found on a decal attached to the treadmill (see the front cover of this manual for the location).

Before reading further, please review the drawing below and familiarize yourself with the labeled parts.

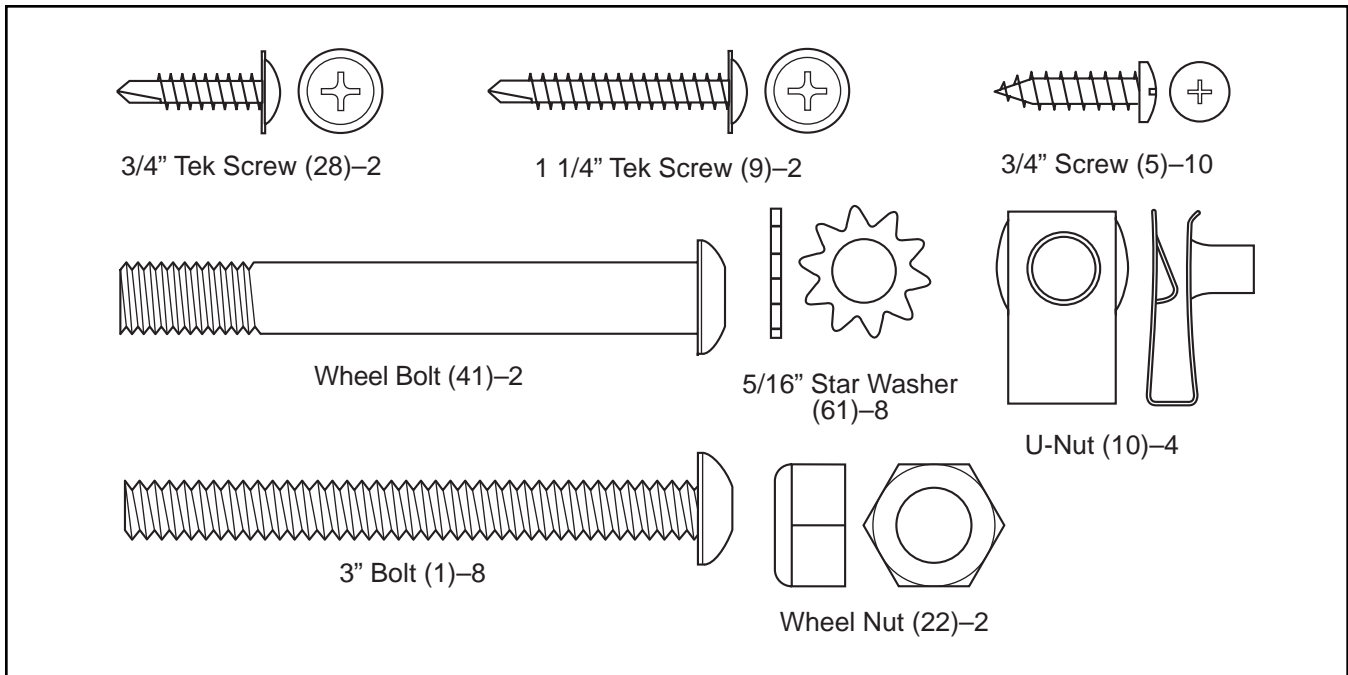


# ASSEMBLY

**Assembly requires two persons.** Set the treadmill in a cleared area and remove all packing materials. Do not dispose of the packing materials until assembly is completed. Note: The underside of the treadmill walking belt is coated with high-performance lubricant. During shipping, a small amount of lubricant may be transferred to the top of the walking belt or the shipping carton. This is a normal condition and does not affect treadmill performance. If there is lubricant on top of the walking belt, simply wipe off the lubricant with a soft cloth and a mild, non-abrasive cleaner.

**Assembly requires the included allen wrenches**  **and your own phillips screwdriver**  , **wire cutters**  , **adjustable wrench**  , **and needlenose pliers**  .

**For help identifying the assembly hardware, refer to the PART IDENTIFICATION CHART below. Note: The assembly hardware and other small parts are packaged in separate part bags. Do not open the part bags until instructed to do so.**

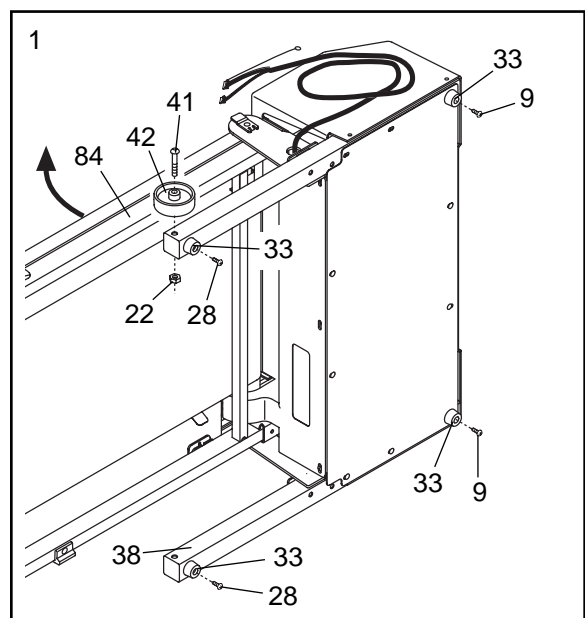


## 1. Make sure that the power cord is unplugged.



With the help of a second person, carefully tip the treadmill onto its left side as shown. Partially fold the Frame (84) so the treadmill is more stable. **Do not fully fold the treadmill until it is completely assembled.**

**Open part bag A.** Attach four Base Pads (33) to the Base (38) with two 1 1/4" Tek Screws (9) and two 3/4" Tek Screws (28). Attach a Wheel (42) to the right side of the Base with a Wheel Bolt (41) and a Wheel Nut (22).

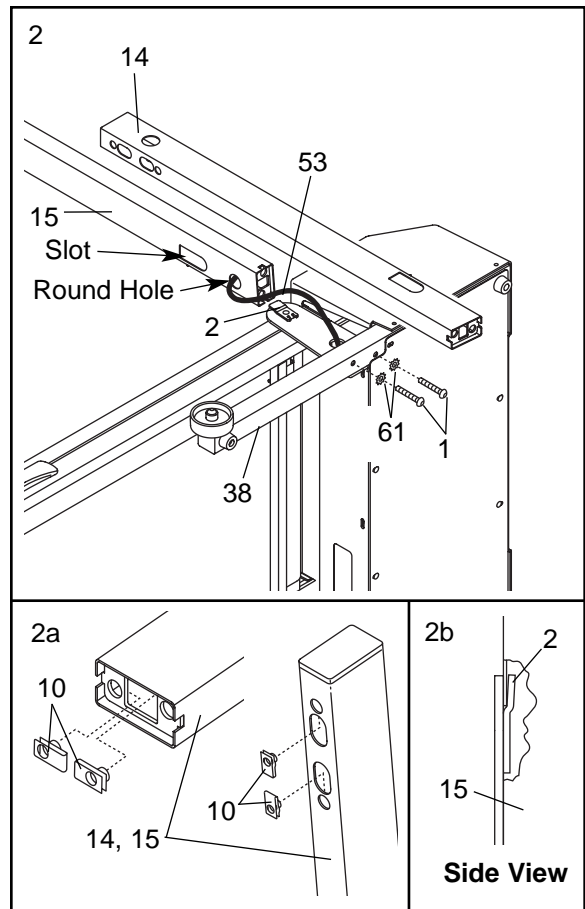


2. **Open part bag B. See drawing 2a. Make sure that there are U-nuts (10) in the bottom of each Upright (14, 15).** Clip two U-nuts (10) over the two round holes in the top of each Upright (14, 15) as shown.

Identify the Right Upright (15), which has a large round hole and a slot near the lower end. While a second person holds the Right Upright near the Wire Harness (53), insert the end of the Wire Harness into the round hole and out of the upper end of the Right Upright.

Slide the slot in the Right Upright (15) onto the Upright Lock Bracket (2) (see drawing 2b). Slide the Right Upright down until it reaches the Base (38). **Make sure that the Wire Harness (53) is not pinched.** Attach the Right Upright to the Base with two 3" Bolts (1) and two 5/16" Star Washers (61).

With the help of a second person, tip the treadmill onto its other side. Attach the Left Upright (14) as described above. (Note: There is not a wire harness on the left side.) Attach the other Wheel (not shown) to the Base (38) as described in step 1.

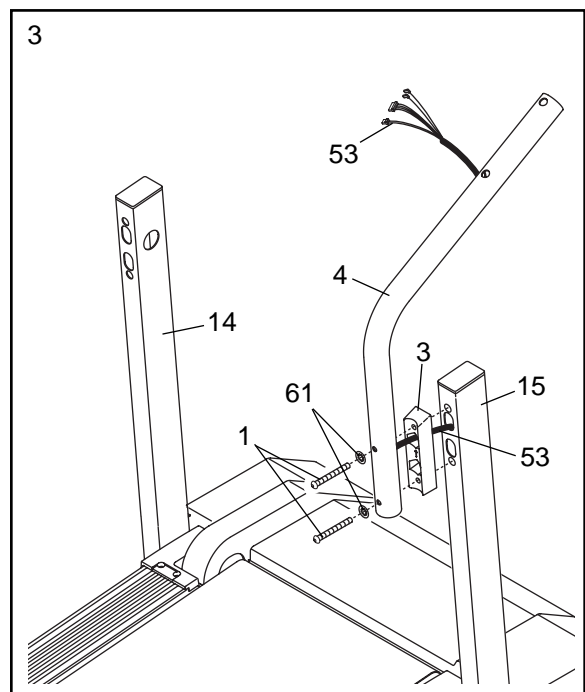


3. With the help of a second person, tip the treadmill so the Base Pads (33) (see drawing 1) are lying flat on the floor. Raise the Uprights (14, 15) to the vertical position.

Hold a Handrail Spacer (3) so the arrow between the two large holes is pointing upward. Thread the Wire Harness (53) through the upper large hole in the Handrail Spacer. Next, insert the Wire Harness into a Handrail (4) and out of the indicated hole in the side of the Handrail. If necessary, use needlenose pliers to pull the Wire Harness out of the hole.

Hold the Handrail Spacer (3) and the Handrail (4) against the right Upright (15). Attach the Handrail and the Handrail Spacer with two 3" Bolts (1) and two 5/16" Star Washers (61) as shown. **Make sure that the Wire Harness (53) is not in the way of the Handrail Bolts. Do not tighten the Handrail Bolts yet.**

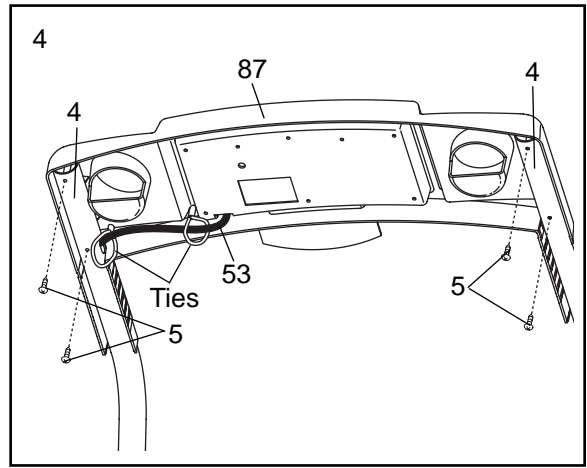
Attach the other Handrail (not shown) to the Left Upright (14) as described above. Note: There is not a Wire Harness in the Left Upright.





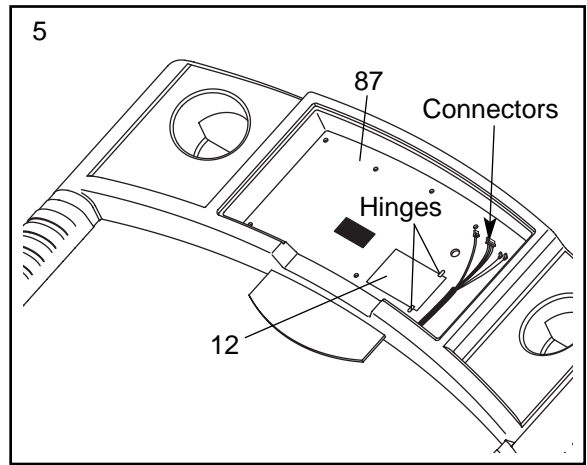
4. **Open part bag C.** Set the Console Base (87) on the Handrails (4). Thread four 3/4" Screws (5) into the Handrails and the Console Base. After you have started all four Screws, **tighten the Screws until they are snug; do not overtighten the Screws.**

Insert the Wire Harness (53) through the two indicated plastic ties on the Console Base (87) and then through the hole in the bottom of the Console Base.



5. Insert the Battery Cover (12) **up through the bottom** of the Console Base (87), with the hinges in the position shown. The Battery Cover should pivot down, away from the Console Base.

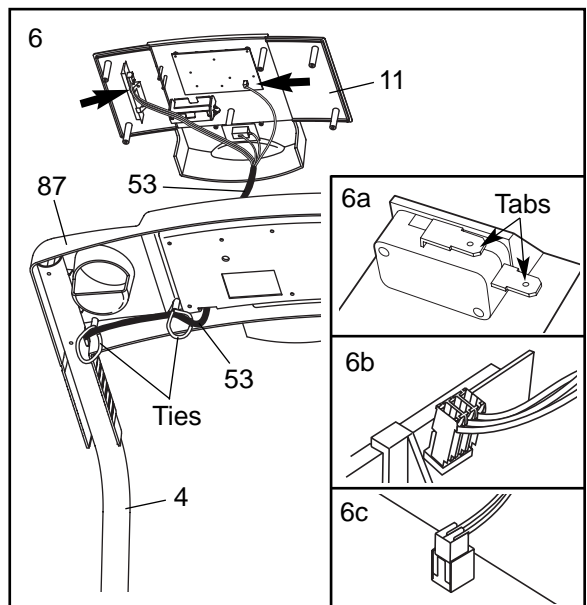
Remove the tape from the connectors.



6. Hold the Console (11) near the Console Base (87). **Touch the right Handrail (4) to discharge any static.**

Locate the two wires in the Wire Harness (53) that have L-shaped connectors on the ends. Press the connectors onto the two tabs on the switch shown in inset drawing 6a.

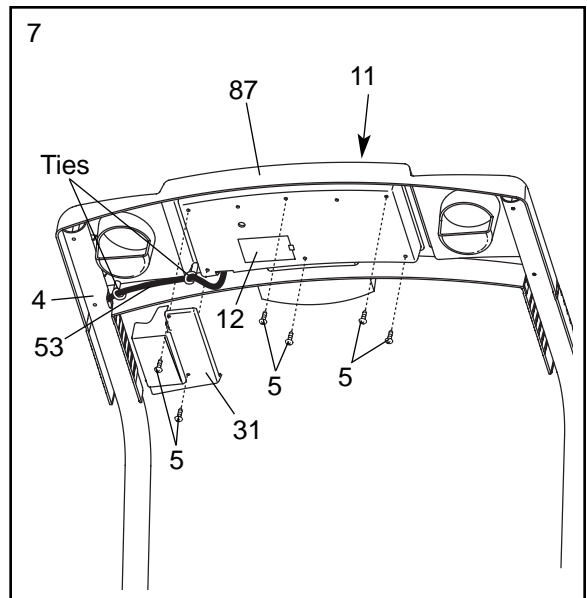
Connect the other two wires in the Wire Harness (53) to the back of the Console (87) in the locations shown by the arrows in drawing 6. **The connectors should slide easily into the sockets and snap into place** (see drawings 6b and 6c). If the connectors do not slide easily and snap into place, turn the connectors and then insert them. **IF THE CONNECTORS ARE NOT INSERTED PROPERLY, THE CONSOLE MAY BE DAMAGED WHEN THE POWER IS TURNED ON.**





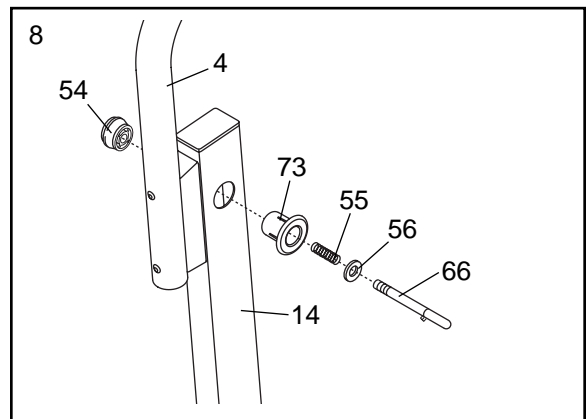
- Set the Console (11) in the Console Base (87). **Make sure that no wires are pinched or obstructing the area under the Battery Cover (12).** Insert as much of the Wire Harness (53) as possible down into the hole in the right Handrail (4). **Securely tighten the plastic tie nearest to the right Handrail.** Pull any excess Wire Harness from between the plastic ties, and then tighten the second plastic tie. Cut off the ends of both plastic ties. Cover the Wire Harness with the Wire Cover (31), and route the Wire Harness out of the hole in the side of the Wire Cover. Attach the Wire Cover to the back of the Console Base with two 3/4" Screws (5). **Do not overtighten the Screws.**

**Make sure that no wires are pinched.** Attach the Console (11) to the Console Base (87) with the four remaining 3/4" Screws (5). **Do not overtighten the Screws.**



- Press the Latch Knob Sleeve (73) into the Left Upright (14). Remove the Latch Knob (54) from the Latch Pin (66). Make sure that the Latch Pin Collar (56) and the Spring (55) are on the Latch Pin, and insert the Latch Pin into the Latch Knob Sleeve from the side shown. Tighten the Latch Knob back onto the Latch Pin.

Lift the treadmill frame (see HOW TO FOLD THE TREADMILL FOR STORAGE on page 13). Make sure that the frame is centered between the two Handrails (4). **Firmly tighten all of the bolts and screws used in steps 2, 3, and 4.** Then, lower the frame to the floor.



- Make sure that all parts used in assembly are properly tightened before you use the treadmill.** Keep the included allen wrenches in a secure place for adjustment purposes (see page 16). To protect the floor or carpet, place a mat under the treadmill.

# OPERATION AND ADJUSTMENT

## THE PERFORMANT LUBE™ WALKING BELT

Your treadmill features a walking belt coated with PERFORMANT LUBE™, a high-performance lubricant. **IMPORTANT: Never apply silicone spray or other substances to the walking belt or the walking platform. Such substances will deteriorate the walking belt and cause excessive wear.**

## HOW TO PLUG IN THE POWER CORD

**⚠ DANGER:** Improper connection of the equipment-grounding conductor can result in an increased risk of electric shock. Check with a qualified electrician or serviceman if you are in doubt as to whether the product is properly grounded. Do not modify the plug provided with the product—if it will not fit the outlet, have a proper outlet installed by a qualified electrician.

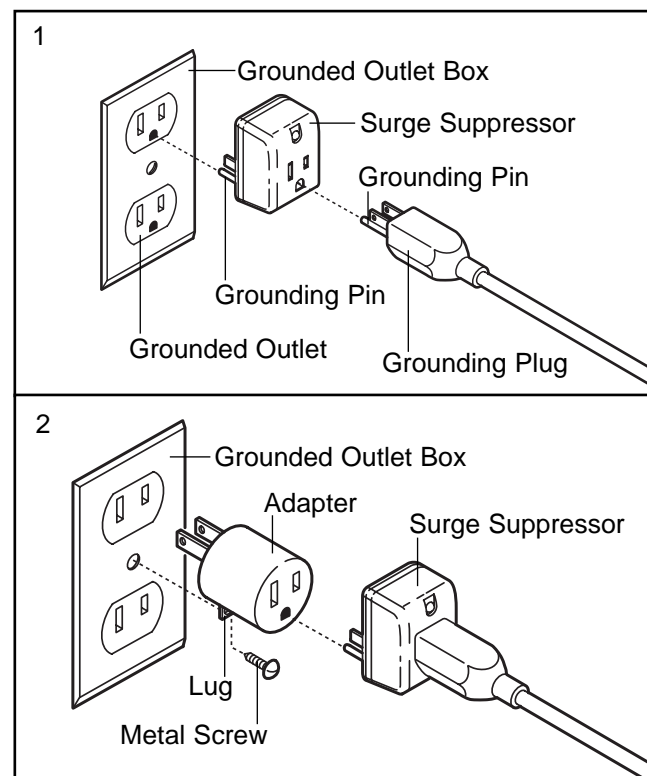
Your treadmill, like any other type of sophisticated electronic equipment, can be seriously damaged by sudden voltage changes in your home's power. Voltage surges, spikes, and noise interference can result from weather conditions or from other appliances being turned on or off. **To decrease the possibility of your treadmill being damaged, always use a surge suppressor with your treadmill (see drawing 1 at the right).** To purchase a surge suppressor, see your local WESLO dealer or call 1-800-806-3651 and order part number 146148.

Use only a single-outlet surge suppressor that is UL 1449 listed as a transient voltage surge suppressor (TVSS). The surge suppressor must have a UL suppressed voltage rating of 400 volts or less and a minimum surge dissipation of 450 joules. The surge suppressor must be electrically rated for 120 volts AC and 15 amps. There must be a monitoring light on the surge suppressor to indicate whether it is functioning properly. Failure to use a properly functioning surge suppressor could result in damage to the control system of the treadmill. If the control system is damaged, the walking belt may change speed or stop unexpectedly, which may result in a fall and serious injury.

**This product must be grounded.** If it should malfunction or break down, grounding provides a path of least resistance for electric current to reduce the risk of electric shock. This product is equipped with a cord

having an equipment-grounding conductor and a grounding plug. **Plug the power cord into a surge suppressor, and plug the surge suppressor into an appropriate outlet that is properly installed and grounded in accordance with all local codes and ordinances. Important: The treadmill is not compatible with GFCI-equipped outlets.**

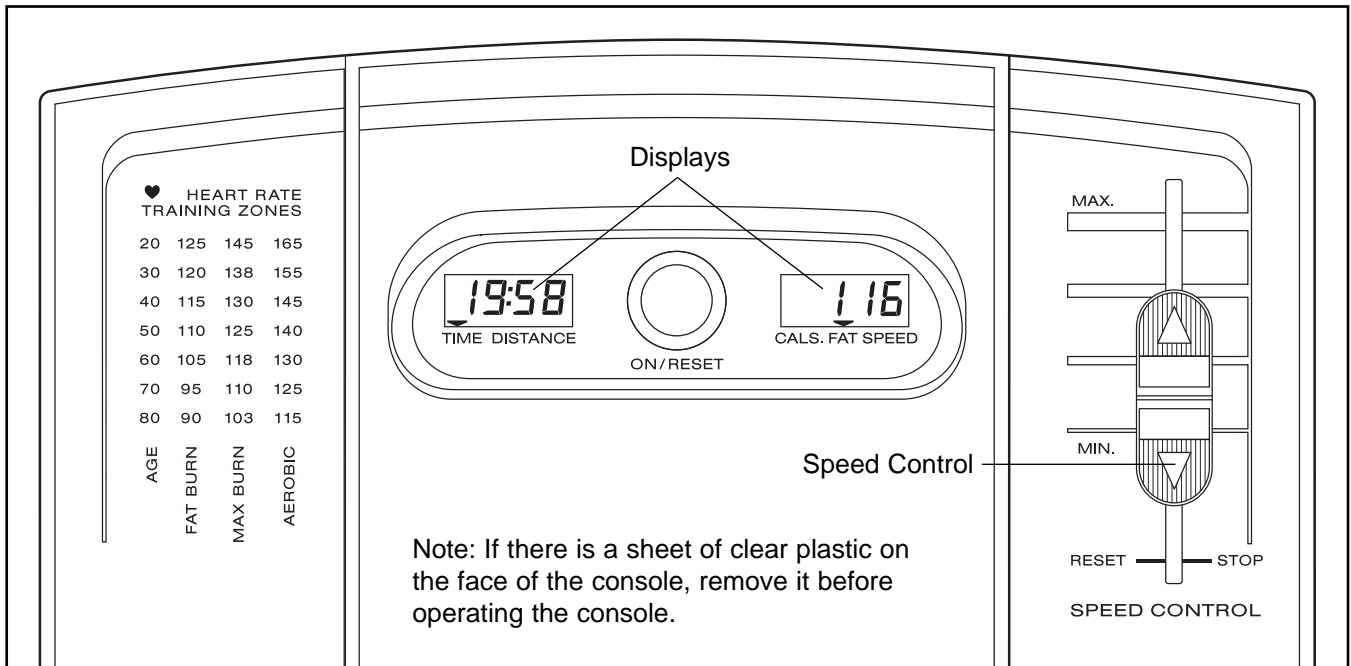
This product is for use on a nominal 120-volt circuit, and has a grounding plug that looks like the plug illustrated in drawing 1 below. A temporary adapter that looks like the adapter illustrated in drawing 2 may be used to connect the surge suppressor to a 2-pole receptacle as shown in drawing 2 if a properly grounded outlet is not available.



The temporary adapter should be used only until a properly grounded outlet (drawing 1) can be installed by a qualified electrician.

The green-colored rigid ear, lug, or the like extending from the adapter must be connected to a permanent ground such as a properly grounded outlet box cover. Whenever the adapter is used it must be held in place by a metal screw. **Some 2-pole receptacle outlet box covers are not grounded. Contact a qualified electrician to determine if the outlet box cover is grounded before using an adapter.**

## DIAGRAM OF THE CONSOLE



**CAUTION:** Before operating the console, read the following precautions.

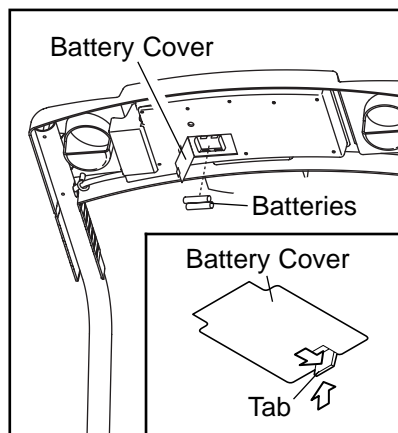
- Do not stand on the walking belt when turning on the power.
- Always wear the clip (see the drawing below) while using the treadmill. When the key is

removed from the console, the walking belt will stop.

- Adjust the speed in small increments.
- To reduce the possibility of electric shock, keep the console dry. Avoid spilling liquids on the console. Put only sealable water bottles in the water bottle holders.

## BATTERY INSTALLATION

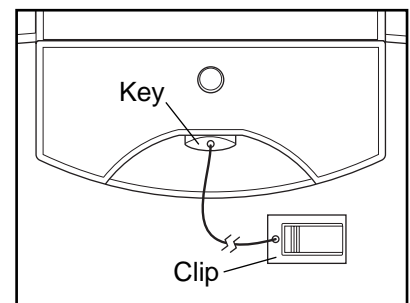
The console requires **two "AA" batteries** (not included). Alkaline batteries are recommended. To install batteries, open the battery cover beneath the console as shown. Press two batteries into the console. **Make sure that the negative (-) ends of the batteries are touching the springs.** Close the battery cover, push up on the tab, and then push the tab forward as shown in the inset drawing. Make sure that the tab locks into place.



## STEP-BY-STEP CONSOLE OPERATION

Before operating the console, make sure that the power cord is properly plugged in (see page 10).

Step onto the foot rails of the treadmill. Find the clip attached to the key, and slide the clip onto the waistband of your clothes. Next, insert the key fully into the console. **Test the clip by carefully taking a few steps backward until the key is pulled from the console. If the key is not pulled from the console, adjust the position of the clip as needed.**



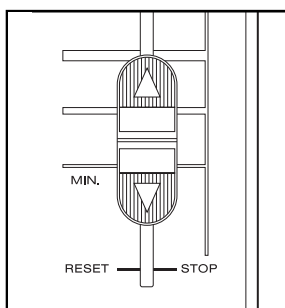
Follow the steps below to operate the console.

### 1 Insert the key fully into the console.

Inserting the key will not turn on the displays. The displays will turn on when the ON/RESET button is pressed or when the walking belt is started. Note: If you just installed batteries, the displays will already be on.

### 2 Reset the speed control and start the walking belt.

Slide the speed control down to the RESET position. **Note: Each time the walking belt is stopped, the speed control must be moved to the RESET position before the walking belt can be restarted.**



Next, slowly slide the speed control up until the walking belt begins to move at slow speed. Carefully step onto the walking belt and begin walking. Change the speed of the walking belt as desired by sliding the speed control.

To stop the walking belt, step onto the foot rails and slide the speed control to the RESET position.

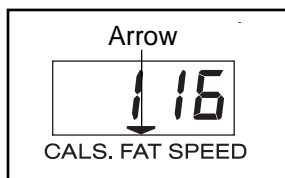
Note: During the first few minutes that the treadmill is used, inspect the alignment of the walking belt and align it if necessary (see page 16).

### 3 Monitor your progress with the displays.

**TIME/DISTANCE display**—This display shows the elapsed time and distance that you have walked or run, in miles. Every few seconds, the display will change from one number to the other, as shown by the arrows in the display.



**CALS/FAT CALS/SPEED display**—This display shows the approximate numbers of calories and fat calories you have burned (see FAT BURNING on page 17). In addition, the display shows the speed of the walking belt, in miles per hour. Every few



seconds, the display will change from one number to the next, as shown the the arrows in the display.

To reset the displays at any time, press the ON/RESET button.

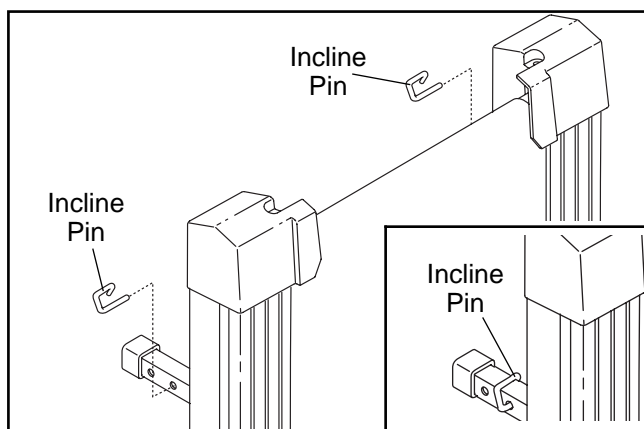
### 4 When you are finished exercising, stop the walking belt and remove the key.

Step onto the foot rails, slide the speed control to the RESET position, and remove the key from the console. The displays will turn off a few minutes after the key is removed. **Note: Any time that the walking belt is stopped and the ON/RESET button is not pressed for a few minutes, the displays will automatically turn off.**

### HOW TO CHANGE THE INCLINE OF THE TREADMILL

To vary the intensity of your exercise, the incline of the treadmill can be changed. There are four incline levels. **Before changing the incline, remove the key and unplug the power cord.** Next, fold the treadmill to the storage position (see HOW TO FOLD THE TREADMILL FOR STORAGE on page 13).

To change the incline, first remove the incline pin from one of the incline legs as shown below. Adjust the incline leg to the desired height and fully reinsert the incline pin. Make sure that the incline pin is in the "locked" position shown in the inset drawing. Adjust the other incline leg in the same way. **Make sure that both incline pins are inserted from the direction shown.**



**CAUTION: Before using the treadmill, make sure that both incline legs are at the same height. Do not use the treadmill with the incline pins removed.** After you have adjusted the incline legs, lower the treadmill (see HOW TO LOWER THE TREADMILL FOR USE on page 14).

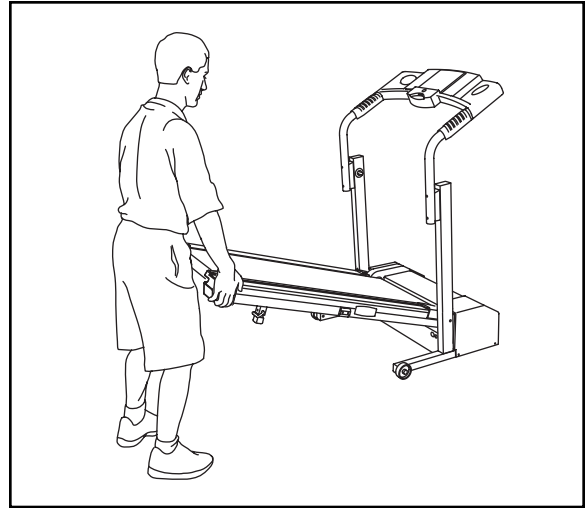
# HOW TO FOLD AND MOVE THE TREADMILL

## HOW TO FOLD THE TREADMILL FOR STORAGE

Before folding the treadmill, unplug the power cord.

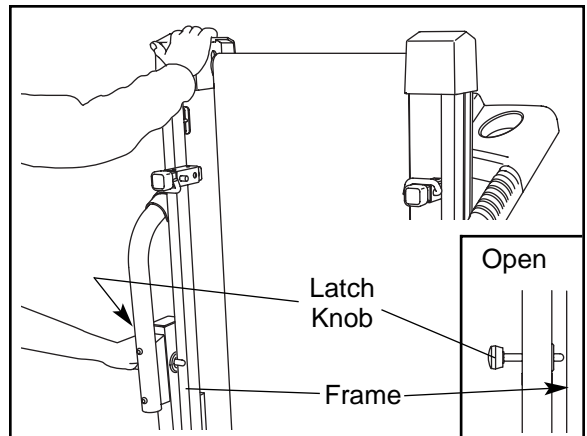
**CAUTION: You must be able to safely lift 45 pounds (20 kg) in order to raise, lower or move the treadmill.**

1. Hold the treadmill with your hands in the locations shown at the right. **CAUTION: To decrease the possibility of injury, bend your legs and keep your back straight. As you raise the treadmill, make sure to lift with your legs rather than your back.** Raise the treadmill about halfway to the vertical position.



2. Move your right hand to the position shown and hold the treadmill firmly. Using your left hand, pull the latch knob to the left and hold it. Raise the treadmill until the frame is past the pin on the latch knob. Slowly release the latch knob. **Make sure that the frame is securely held by the pin.**

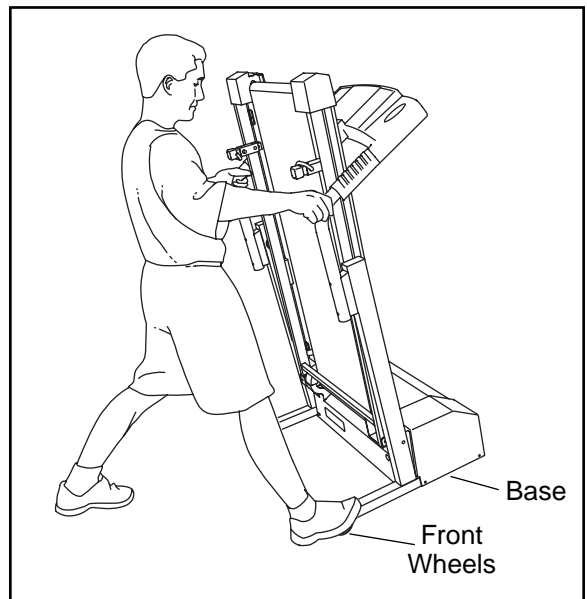
**To protect the floor or carpet from damage, place a mat under the treadmill. Keep the treadmill out of direct sunlight. Do not leave the treadmill in the storage position in temperatures above 85° Fahrenheit.**



## HOW TO MOVE THE TREADMILL

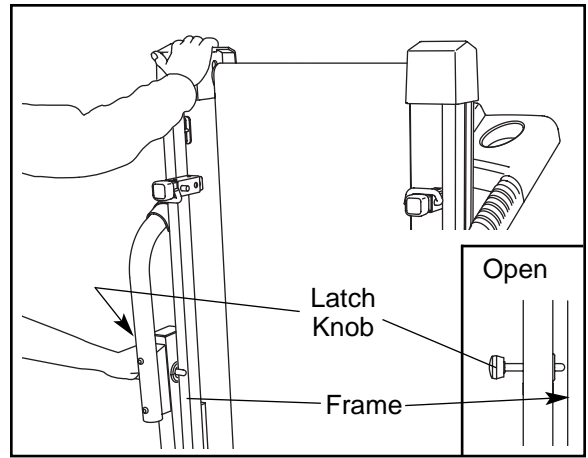
Before moving the treadmill, convert the treadmill to the storage position as described above. **Make sure that the storage latch is fully engaged over the catch.**

1. Hold the upper ends of the handrails. Place one foot on one of the front wheels as shown.
2. Tilt the treadmill back until it rolls freely on the front wheels. Carefully move the treadmill to the desired location. **To reduce the risk of injury, use extreme caution while moving the treadmill. Do not attempt to move the treadmill over an uneven surface.**
3. Place one foot on a front wheel, and carefully lower the treadmill until it is resting in the storage position.

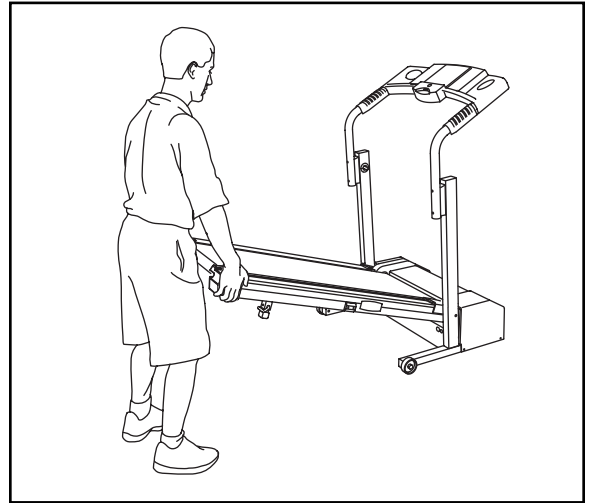


## HOW TO LOWER THE TREADMILL FOR USE

1. Hold the upper end of the treadmill with your right hand as shown. Using your left hand, pull the latch knob to the left and hold it. Pivot the treadmill down until the frame is past the latch pin. Slowly release the latch knob.



2. Hold the treadmill firmly with both hands, and lower the treadmill to the floor. **Do not drop the treadmill frame to the floor. To decrease the possibility of injury, bend your legs and keep your back straight.**



# MAINTENANCE AND TROUBLESHOOTING

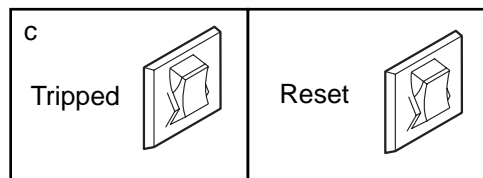
Most treadmill problems can be solved by following the steps below. Find the symptom that applies, and follow the steps listed. If further assistance is needed, please call our Customer Service Department toll-free at 1-800-999-3756, Monday through Friday, 6 a.m. until 6 p.m. Mountain Time (excluding holidays).

**PROBLEM:** The power does not turn on

**SOLUTION:** a. Make sure that the power cord is plugged into a surge suppressor, and that the surge suppressor is plugged into a properly grounded outlet (see page 10). Use only a single-outlet surge suppressor that meets all of the specifications described on page 10. Important: The treadmill is not compatible with GFCI-equipped outlets.

b. After the power cord has been plugged in, make sure that the key is fully inserted into the console.

c. Check the circuit breaker located on the treadmill frame near the power cord. If the switch protrudes as shown, the circuit breaker has tripped. To reset the circuit breaker, wait for five minutes and then press the switch back in.



**PROBLEM:** The power turns off during use

**SOLUTION:** a. Check the circuit breaker located on the treadmill frame near the power cord (see 1. c. above). If the circuit breaker has tripped, wait for five minutes and then press the switch back in.

b. Make sure that the power cord is plugged in. If the power cord is plugged in, unplug it, wait for five minutes, and then plug it back in.

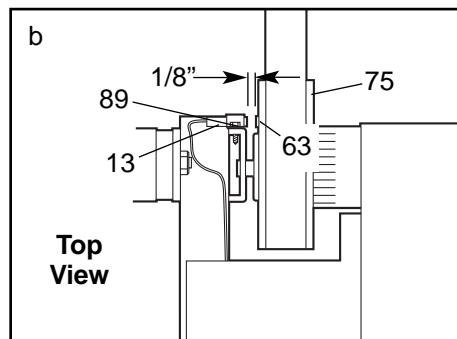
c. Remove the key from the console. Reinsert the key fully into the console.

d. If the treadmill still will not run, please call our Customer Service Department, toll-free.

**PROBLEM:** The displays of the console do not function properly

**SOLUTION:** a. Check the batteries in the console (see page 9). Most problems are the result of drained batteries.

b. Remove the key from the console and **UNPLUG THE POWER CORD**. Remove the screws from the hood. Carefully remove the hood. Locate the Reed Switch (13) and the Magnet (63) on the left side of the Pulley (75). Turn the Pulley until the Magnet is aligned with the Reed Switch. **Make sure that the gap between the Magnet and the Reed Switch is about 1/8"**. If necessary, loosen the Reed Switch Screw (89) and move the Reed Switch slightly. Retighten the Screw. Re-attach the hood, and run the treadmill for a few minutes to check for a correct speed reading. Reattach the Resistance Knob.

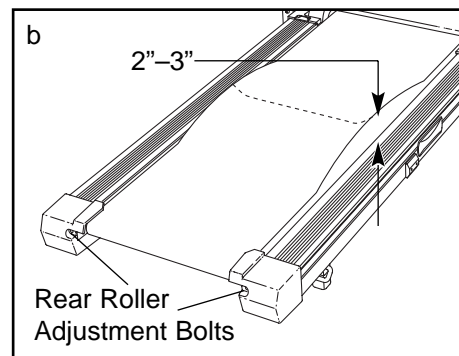




**PROBLEM: The walking belt slows when walked on**

**SOLUTION:** a. Use only a single-outlet surge suppressor that meets all of the specifications described on page 10.

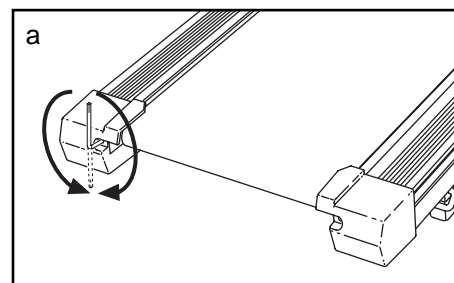
b. If the walking belt is overtightened, treadmill performance may decrease and the walking belt may become damaged. Remove the key and **UNPLUG THE POWER CORD**. Using the allen wrench, turn both rear roller adjustment bolts counterclockwise, 1/4 of a turn. When the walking belt is properly tightened, you should be able to lift each side of the walking belt 2 to 3 inches off the walking platform. Be careful to keep the walking belt centered. Plug in the power cord, insert the key and run the treadmill for a few minutes. Repeat until the walking belt is properly tightened.



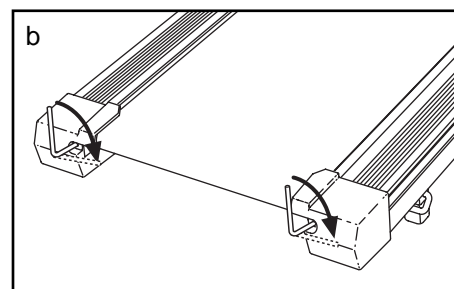
c. If the walking belt still slows when walked on, please call our toll-free Customer Service Department.

**PROBLEM: The walking belt is off-center or slips when walked on**

**SOLUTION:** a. If the walking belt is off-center, first remove the key and **UNPLUG THE POWER CORD**. **If the walking belt has shifted to the left**, use the allen wrench to turn the left rear roller bolt clockwise 1/2 of a turn; **if the walking belt has shifted to the right**, turn the bolt counterclockwise 1/2 of a turn. Be careful not to overtighten the walking belt. Plug in the power cord, insert the key and run the treadmill for a few minutes. Repeat until the walking belt is centered.



b. If the walking belt slips when walked on, first remove the key and **UNPLUG THE POWER CORD**. Using the allen wrench, turn both rear roller bolts clockwise, 1/4 of a turn. When the walking belt is correctly tightened, you should be able to lift each side of the walking belt 2 to 3 inches off the walking platform. Be careful to keep the walking belt centered. Plug in the power cord, insert the key and carefully walk on the treadmill for a few minutes. Repeat until the walking belt is properly tightened.



# CONDITIONING GUIDELINES

**⚠ WARNING:** Before beginning this or any exercise program, consult your physician. This is especially important for individuals over the age of 35 or individuals with pre-existing health problems.

The following guidelines will help you to plan your exercise program. For more detailed exercise information, obtain a reputable book or consult your physician.

## EXERCISE INTENSITY

Whether your goal is to burn fat or to strengthen your cardiovascular system, the key to achieving the desired results is to exercise with the proper intensity. The proper intensity level can be found by using your heart rate as a guide. The chart below shows recommended heart rates for fat burning and aerobic exercise.

HEART RATE TRAINING ZONES							
AEROBIC	165	155	145	140	130	125	115
MAX FAT BURN	145	138	130	125	118	110	103
FAT BURN	125	120	115	110	105	95	90
Age	20	30	40	50	60	70	80

To find the proper heart rate for you, first find your age at the bottom of the chart (ages are rounded off to the nearest ten years). Next, find the three numbers at the top of your age. The three numbers are your “training zone.” The lower two numbers are recommended heart rates for fat burning; the highest number is the recommended heart rate for aerobic exercise.

## Fat Burning

To burn fat effectively, you must exercise at a relatively low intensity level for a sustained period of time. During the first few minutes of exercise, your body uses easily accessible *carbohydrate calories* for energy. Only after the first few minutes does your body begin to use stored *fat calories* for energy. If your goal is to burn fat, adjust the speed and incline of the treadmill until your heart rate is near one of the lower two numbers in your training zone. It may also be helpful to set the speed control on the console to the line above MIN to help you maintain the proper intensity level. (See page 11.)

## Aerobic Exercise

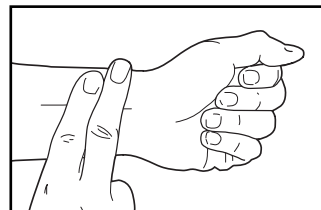
If your goal is to strengthen your cardiovascular system, your exercise must be “aerobic.” Aerobic exercise is activity that requires large amounts of oxygen for prolonged periods of time. This increases the demand on the heart to pump blood to the muscles, and on the lungs to oxygenate the blood. For aerobic exercise, adjust the speed and incline of the treadmill until your heart rate is near the highest number in your training zone. It may also be helpful to set the speed control on the console to line below MAX to help you maintain the proper intensity level. (See page 11.)

## High Performance Athletic Conditioning

If your goal is high performance athletic conditioning, set the speed control on the console to MAX to help you maintain the proper intensity level. (See page 11.) Note: During the first few weeks of your exercise program, keep your heart rate near the low end of your training zone.

## HOW TO MEASURE YOUR HEART RATE

To measure your heart rate, stop exercising and place two fingers on your wrist as shown. Take a six-second heartbeat count, and multiply the result by ten to find your heart rate. (A six-second count is used because your heart rate drops quickly when you stop exercising.) If your heart rate is too high or too low, adjust the speed or incline of the treadmill accordingly.



## WORKOUT GUIDELINES

A well-rounded workout includes the following three important parts:

### A Warm-up

Start each workout with 5 to 10 minutes of stretching and light exercise. A proper warm-up increases your body temperature, heart rate, and circulation in preparation for exercise.

### **Training Zone Exercise**

After warming up, increase the intensity of your exercise until your pulse is in your training zone for 20 to 60 minutes. (During the first few weeks of your exercise program, do not keep your pulse in your training zone for longer than 20 minutes.) Breathe regularly and deeply as you exercise—never hold your breath.

### **A Cool-down**

Finish each workout with 5 to 10 minutes of stretching

to cool down. This will increase the flexibility of your muscles and will help to prevent post-exercise problems.

### **EXERCISE FREQUENCY**

To maintain or improve your condition, complete three workouts each week, with at least one day of rest between workouts. After a few months, you may complete up to five workouts each week if desired.

The key to success is to make exercise a regular and enjoyable part of your everyday life.

---

# NOTES

# PART LIST—Model No. WLTL21130

R0903A

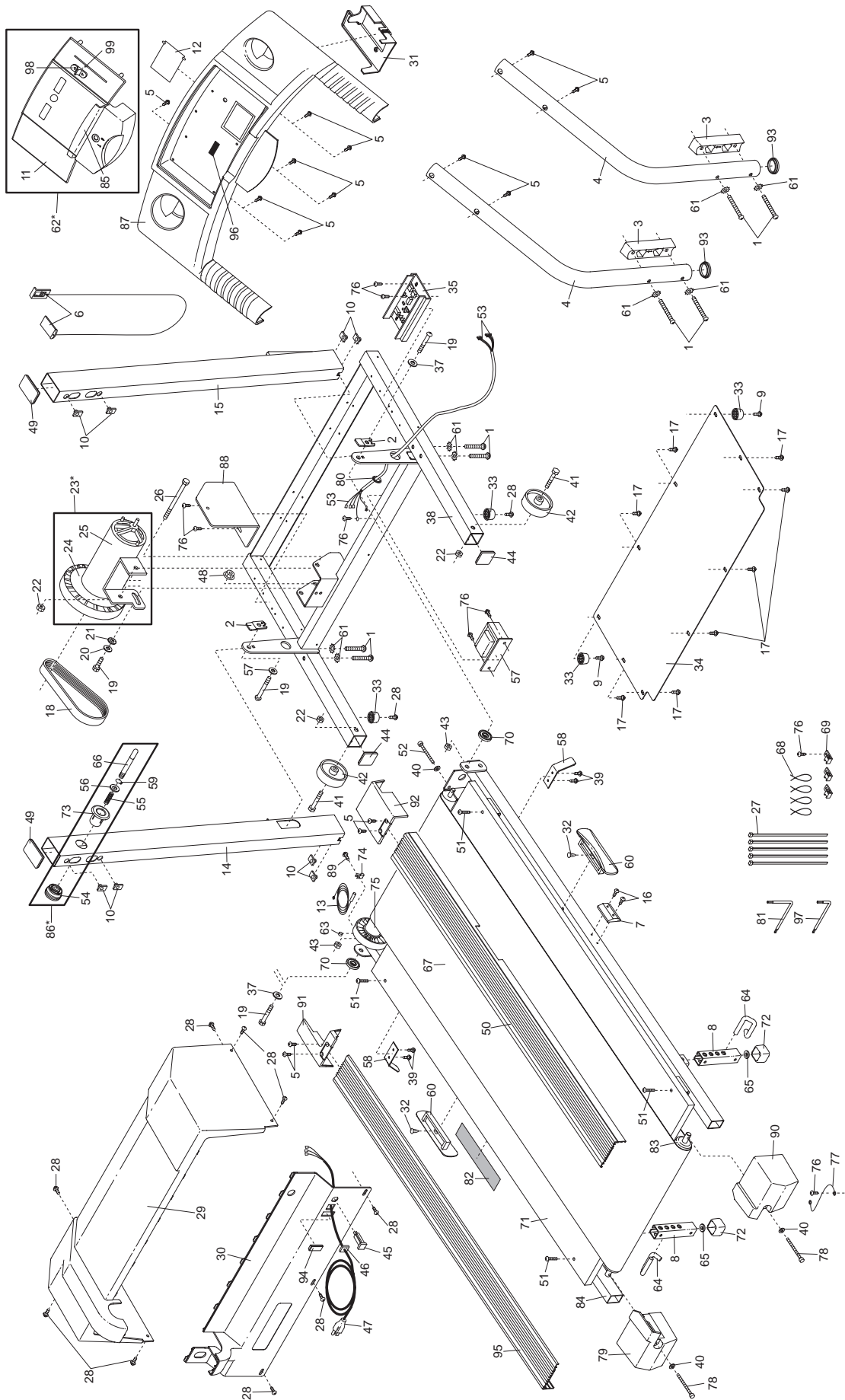
Key No.	Qty.	Description	Key No.	Qty.	Description
1	8	3" Bolt	54	1	Latch Knob
2	2	Upright Lock Bracket	55	1	Spring
3	2	Handrail Spacer	56	1	Latch Pin Collar
4	2	Handrail	57	1	Choke
5	16	3/4" Screw	58	2	Belt Guide
6	1	Key/Clip	59	1	Pin Clip
7	1	Frame Guide	60	2	Isolator
8	2	Incline Leg	61	8	5/16" Star Washer
9	2	1 1/4" Tek Screw	62*	1	Console Assembly
10	8	U-Nut	63	1	Magnet
11	1	Console	64	2	Incline Pin
12	1	Battery Cover	65	2	Endcap Washer
13	1	Reed Switch	66	1	Latch Pin
14	1	Left Upright	67	1	Walking Belt
15	1	Right Upright	68	3	Wire Tie
16	4	Guide Screw/Tie Screw	69	4	Wire Tie Clamp
17	8	Belly Pan Screw	70	2	Frame Spacer
18	1	Motor Belt	71	1	Walking Platform
19	3	Motor Tension Bolt	72	2	Endcap
20	1	Motor Tension Washer	73	1	Latch Pin Sleeve
21	1	Tension Star Washer	74	1	Sensor Clip
22	3	Motor Pivot Nut/Wheel Nut	75	1	Front Roller/Pulley
23	1	Motor/Pulley/Flywheel/Fan	76	10	Electronic Screw
24	1	Pulley/Flywheel/Fan	77	1	Ground Wire
25	1	Motor	78	2	Rear Roller Adj. Bolt
26	1	Motor Pivot Bolt	79	1	Left Rear Endcap
27	5	8" Cable Tie	80	1	Upright Grommet
28	15	3/4" Tek Screw	81	1	Allen Wrench
29	1	Hood	82	1	Latch Decal
30	1	Hood Shield	83	1	Rear Roller
31	1	Wire Cover	84	1	Frame
32	2	Isolator Fastener	85	1	Console Lens
33	4	Base Leg Pad	86*	1	Latch Pin Assembly
34	1	Motor Belly Pan	87	1	Console Base
35	1	Controller	88	1	Motor Shield
36	2	Frame Pivot Bolt	89	1	Reed Switch Screw
37	2	Frame Pivot Washer	90	1	Right Rear Endcap
38	1	Upright Base	91	1	Left Front Endcap
39	4	Belt Guide Screw	92	1	Right Front Endcap
40	3	Roller Adj. Washer	93	2	Handrail Endcap
41	2	Wheel Bolt	94	1	Hole Plug
42	2	Wheel	95	1	Left Foot Rail
43	2	Frame Pivot Nut	96	1	Console Warning Decal
44	2	Base Endcap	97	1	5/32" Allen Wrench
45	1	Circuit Breaker	98	1	Speed Knob
46	1	Grommet	99	1	Speed Pot
47	1	Power Cord	#	1	6" Red Wire, Male/Female
48	1	Motor Tension Nut	#	1	4" White Wire, Male/Female
49	2	Upright Endcap	#	1	4" Blue Wire, Male/Female
50	1	Right Foot Rail	#	1	User's Manual
51	4	Platform Screw			
52	1	Front Roller Adj. Bolt			
53	1	Wire Harness			

\* Includes all parts shown in the box  
Note: "#" indicates a non-illustrated part.

Specifications are subject to change without notice. See the back cover of the user's manual for information about ordering replacement parts.

# EXPLODED DRAWING—Model No. WLT21130

R0903A



---

# ORDERING REPLACEMENT PARTS

To order replacement parts, call our Customer Service Department toll-free at 1-800-999-3756, Monday through Friday, 6 a.m. until 6 p.m. Mountain Time (excluding holidays). When ordering parts, please be prepared to give the following information:

- The MODEL NUMBER of the product (WLTL21130)
- The NAME of the product (WESLO CADENCE® CR12 treadmill)
- The SERIAL NUMBER of the product (see the front cover of this manual)
- The KEY NUMBER and DESCRIPTION of the desired part(s) (see the PART LIST and the EXPLODED DRAWING in the center of this manual)

## LIMITED WARRANTY

ICON Health & Fitness, Inc. (ICON), warrants this product to be free from defects in workmanship and material, under normal use and service conditions, for a period of ninety (90) days from the date of purchase. This warranty extends only to the original purchaser. ICON's obligation under this warranty is limited to replacing or repairing, at ICON's option, the product through one of its authorized service centers. All repairs for which warranty claims are made must be pre-authorized by ICON. This warranty does not extend to any product or damage to a product caused by or attributable to freight damage, abuse, misuse, improper or abnormal usage or repairs not provided by an ICON authorized service center; products used for commercial or rental purposes; or products used as store display models. No other warranty beyond that specifically set forth above is authorized by ICON.

ICON is not responsible or liable for indirect, special or consequential damages arising out of or in connection with the use or performance of the product or damages with respect to any economic loss, loss of property, loss of revenues or profits, loss of enjoyment or use, costs of removal or installation or other consequential damages of whatsoever nature. Some states do not allow the exclusion or limitation of incidental or consequential damages. Accordingly, the above limitation may not apply to you.

The warranty extended hereunder is in lieu of any and all other warranties and any implied warranties of merchantability or fitness for a particular purpose is limited in its scope and duration to the terms set forth herein. Some states do not allow limitations on how long an implied warranty lasts. Accordingly, the above limitation may not apply to you.

This warranty gives you specific legal rights. You may also have other rights which vary from state to state.

**ICON HEALTH & FITNESS, INC., 1500 S. 1000 W., LOGAN, UT 84321-9813**